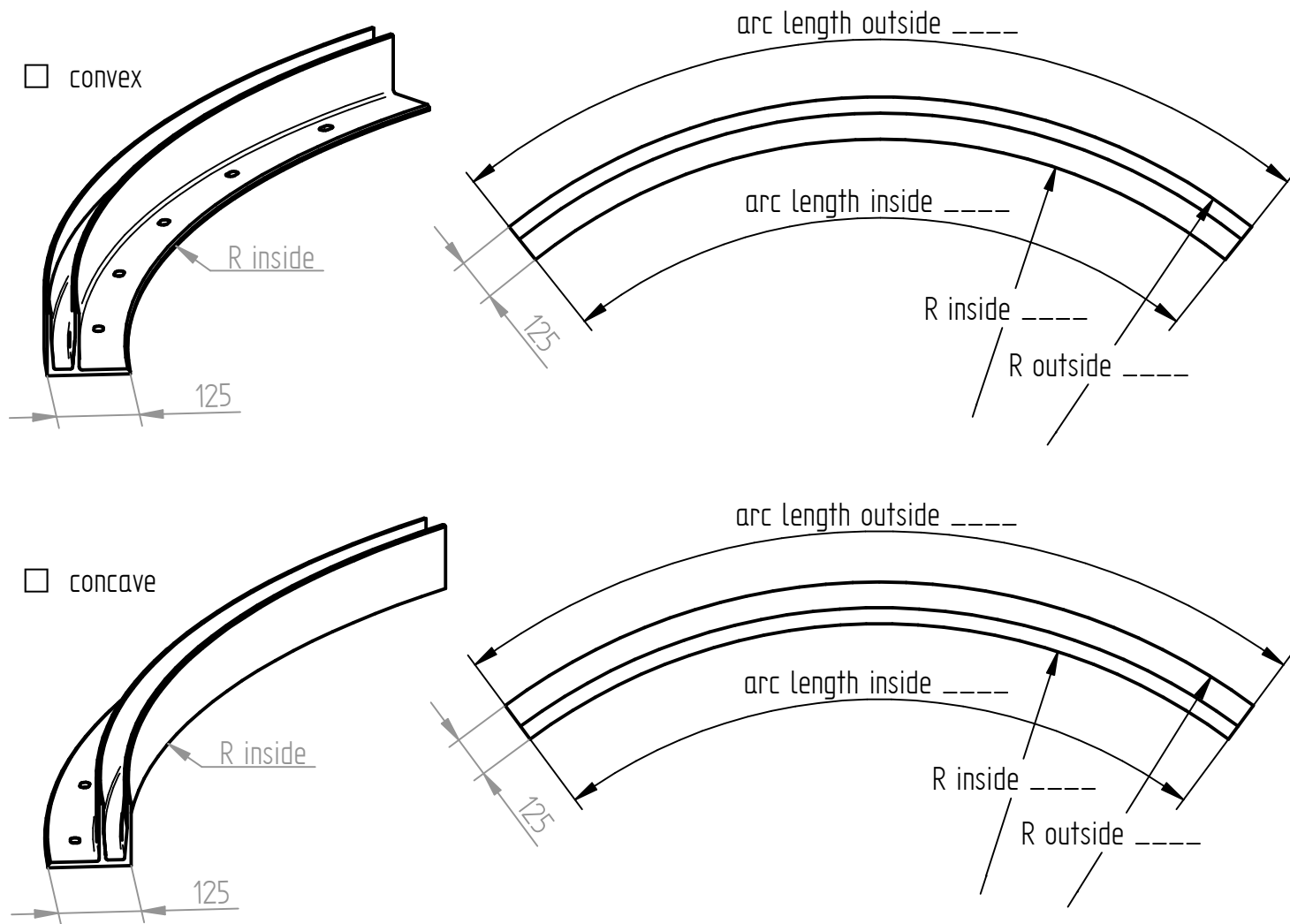
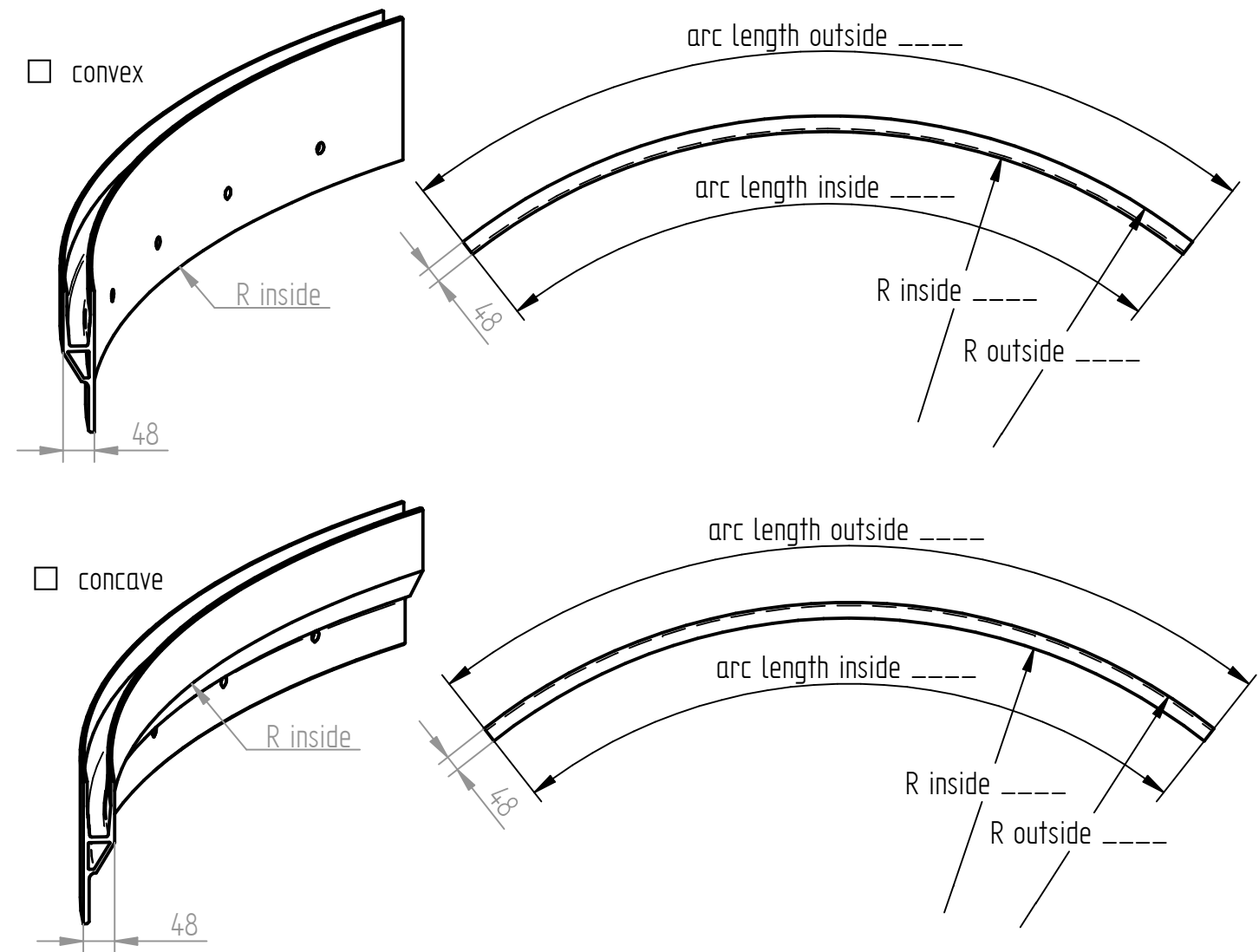


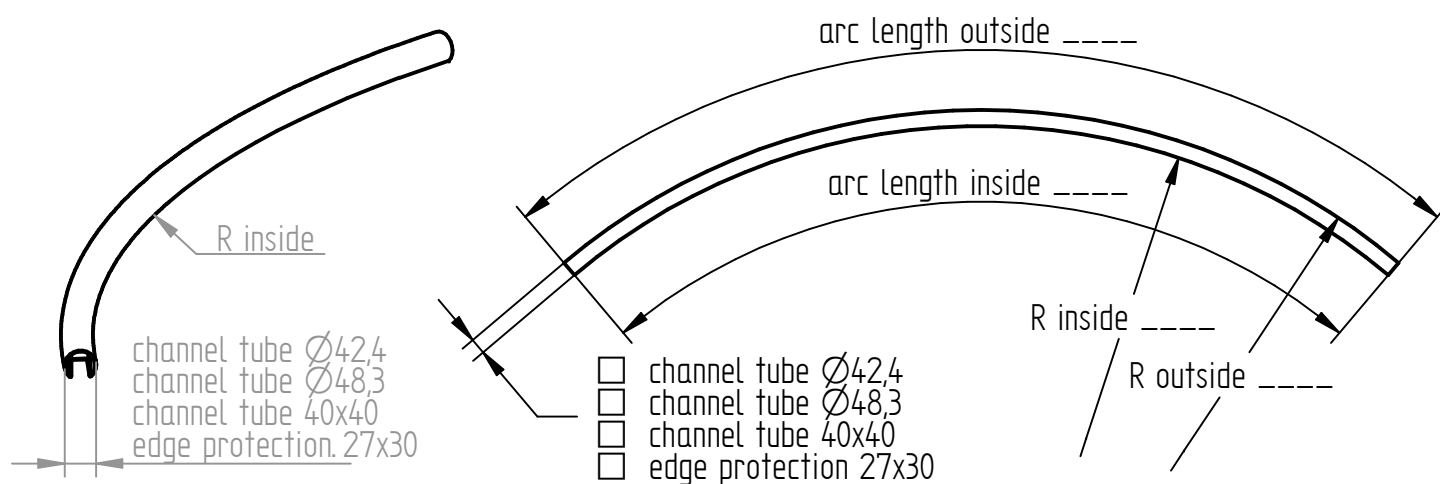
croso glass balustrade system 1.0 CURVE LINE  
top mounting



croso glass balustrade system 1.0 CURVE LINE  
side mounting



croso handrails CURVE LINE



Please fill in as applicable ( \_\_\_\_ ) or mark with a cross (  )

Executable radii:  
 - top mounted from 1600mm  
 - side mounted convex from 4000mm, side mounted concave from 1600mm  
 - handrails from 1600mm (channel tube Ø42,4 from 1400mm)

Authorized radii according to static / AbP (general test certificate fom building authorities):  
 1600mm - 11000mm

Due to the bending process there will be an unusable section of 400mm on each end of the profile that has to be removed locally. The final cutting of the profile has to be done on-site as well. Based on our experiences this offers the advantage to work in an accurate way at the building structure and to adjust or compensate smaller dimensional deviations, too.

Artikelnr.	CURVE LINE	<b>croso</b>
Werkstoff	-	Maßstab 1:15/1:20
Oberfläche	-	gezeichnet 17.04.2018 Sto

Wiedergabe sowie Vervielfältigung dieses Dokuments, Verwertung und Mitteilung seines Inhalts sind verboten, soweit nicht ausdrücklich gestattet. Zuwiderhandlungen verpflichten zu Schadensersatz. Alle Rechte für den Fall der Patent-, Urheberrechts- oder Geschmacksmustereintragung vorbehalten. The reproduction, distribution and utilization of this document as well as the communication of its contents to others without express authorization is prohibited. All rights reserved in the event of the grant of a patent, utility model or design.